
ASTROTEC COMMUNICATIONS ARE PLEASED TO PRESENT YOU WITH AN END TO FIBRE PACKAGE TO PRESENT TO CLIENTS WISHING TO HAVE ALL NBN SERVICES INSTALLED DURING THE CONSTRUCTION OF THEIR NEW HOME

As part of the rollout Astrotec Communications are presenting a state wide service which will ensure that all customers have access to a complete end to end solution when it comes to NBN services within their home.

Our aim is to ensure that customers have peace of mind when it comes to ensuring their home is fibre ready.

Our works will now include the registration of each home with NBN Co, the installation of the fiber to the home and all associated equipment.

The benefits of our new package will mean less delays to the client as the equipment can be installed pre handover making the home ready to connect to their retail package.

One call up from the builder to install the underground lead in service and fiber equipment with a service guarantee that Astrotec Communications can now deliver 100% completion rate on every end to end fiber package.

Should you have any further questions or would like to request pricing and consultation for the packages contact us on 9763 0268.



3rd Party Pit and pipe design

Commercial, Industrial, Residential Telecommunications

VC81 Compliance

End to Fibre Solutions

TOMORROW CONNECTED TODAY.

Consultation and Advice

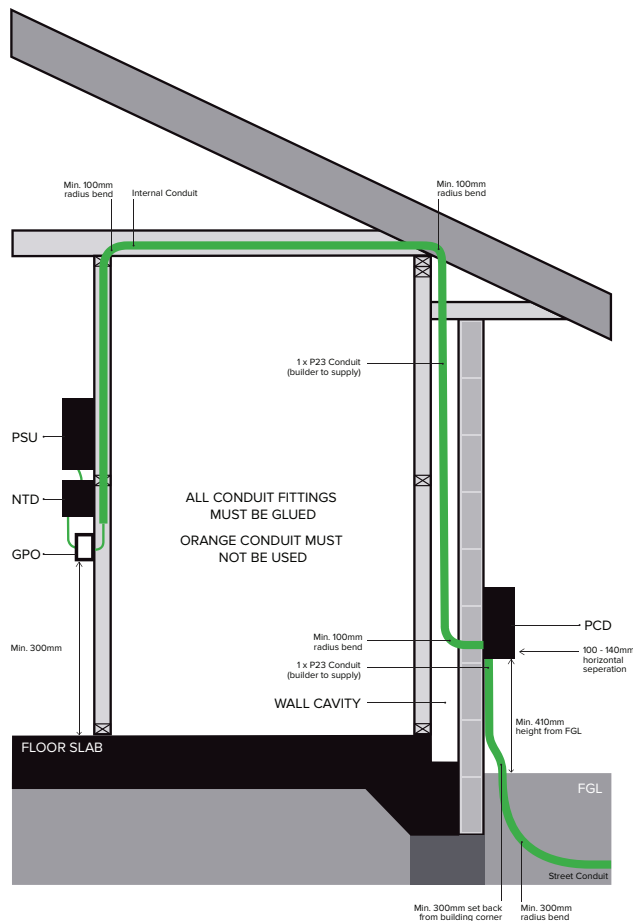
PACKAGE 1

STANDARD COPPER PHONE INSTALLATION

If the home has a standard wiring package (eg; Not smart wired).

Copper / Brownfield

- Digging of Trench up to 25 meters.
- Installation of P23mm conduit to the boundary point of property.
- Installation of draw-wire for installation by carrier services.



PACKAGE 2

FIBRE OPTIC PHONE INSTALLATION

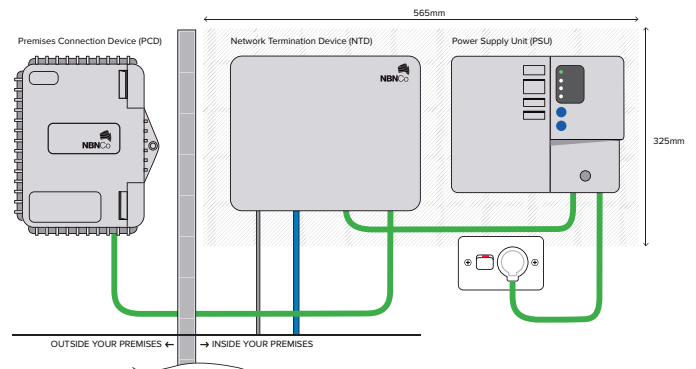
If the home has a smart wiring package for fibre optics (Internal Wiring).

Home must have an internal conduit installed between the external wall and internal location point for the NBN equipment.

Package will apply to all Greenfield Sites.

NBN Greenfield Estates

- Registration of site address on NBN website.
- Obtain Ticket of Work with Servicestream Communications.
- Digging of Trench up to 25 meters.
- Installation of P23 conduit from pit to dwelling.
- Installation of the service drop cable to the PCD.
- Installation of the PCD.
- Supply and installation of internal fiber optic cable.
- Supply and installation of the NTD. (network termination device)
- Supply and installation of the PSU. (Power Supply Unit)
- Fibre test service and make ready for activation via the retail carrier.



TO FIND OUT MORE INFORMATION ON PRICING
AND PACKAGES CONTACT US ON 9763 0268.